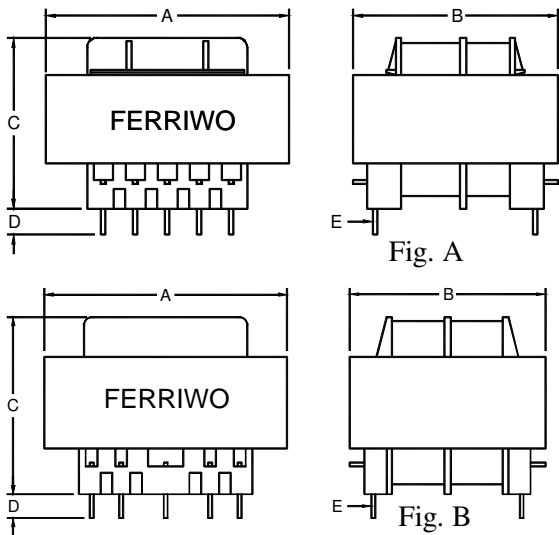


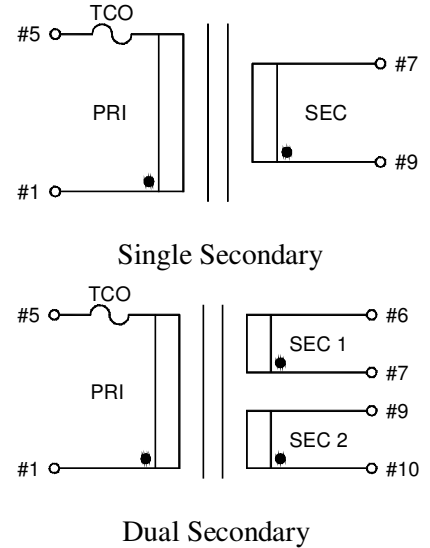
LINER TRANSFORMER

FWLT EI38 EI41 EI48 SERIES

PHYSICAL CHARACTERISTICS

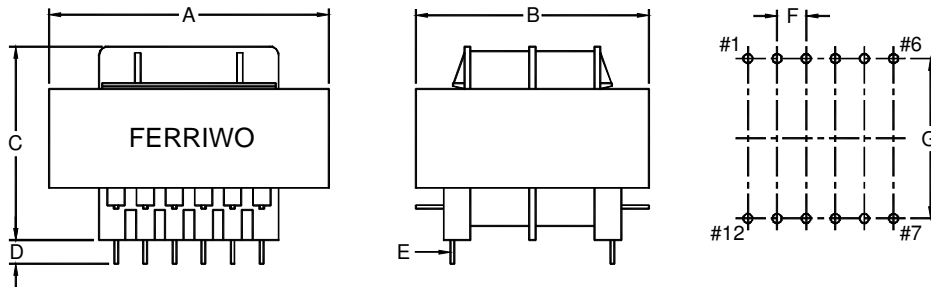


TECHNICAL INFORMATION

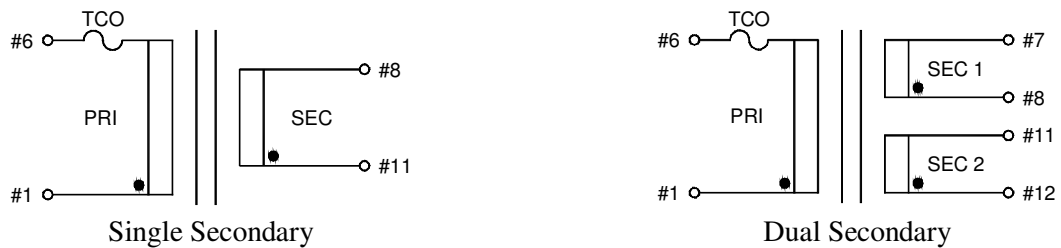


Note: Unused pins are omitted for standard parts. Unused pins can be provided upon request.

PRODUCT SERIES	DIMENSION (MM)							Fig.	WEIGHT (g)
	A	B	C	D	E	F	G		
3.2AV	39.0	33.0	27.5	4.0	SQ 0.64	5.0	25.0	A	35
4.0VA	39.0	33.0	27.5	4.0	SQ 0.64	5.0	25.0	A	70
5.0VA	42.0	34.0	31	4.0	SQ 0.64	5.0	25.0	B	70
Tolerance	max.	max.	max.	±0.1	±0.1	±0.2	±0.5	---	approx.



Note: Unused pins are omitted for standard parts. Unused pins can be provided upon request.



PRODUCT SERIES	DIMENSION (MM)							WEIGHT (g)
	A	B	C	D	E	F	G	
8.0VA	49.0	41.0	34.0	4.0	SQ 0.64	5.0	27.5	250
10VA	49.0	41.0	34	4.0	SQ 0.64	5.0	25.0	250
Tolerance	max.	max.	max.	±0.1	±0.1	±0.2	±0.5	approx.

FWLT EI38 EI41 EI48 SERIES

Product Series	Primary(V)	Single Secondary			Dual Secondary		
		Part Number	Secondary Rating		Part Number	Secondary Rating	
			(V)	(mA)		(V)	(mA)
3.2 VA	115	FWLTEI38S-2001	6	533	FWLTEI38D-2001	2x6	266
		FWLTEI38S-2002	7.2	444	FWLTEI38D-2002	2x7.2	222
		FWLTEI38S-2003	9	355	FWLTEI38D-2003	2x9	177
		FWLTEI38S-2004	10	320	FWLTEI38D-2004	2x10	160
		FWLTEI38S-2005	12	266	FWLTEI38D-2005	2x12	133
		FWLTEI38S-2006	15	213	FWLTEI38D-2006	2x15	106
		FWLTEI38S-2007	18	177	FWLTEI38D-2007	2x18	88
		FWLTEI38S-2008	24	133	FWLTEI38D-2008	2x24	66
4 VA	115	FWLTEI38S-2009	6	666	FWLTEI38D-2009	2x6	333
		FWLTEI38S-2010	7.2	556	FWLTEI38D-2010	2x7.2	278
		FWLTEI38S-2011	9	444	FWLTEI38D-2011	2x9	222
		FWLTEI38S-2012	10	400	FWLTEI38D-2012	2x10	200
		FWLTEI38S-2013	12	333	FWLTEI38D-2013	2x12	167
		FWLTEI38S-2014	15	267	FWLTEI38D-2014	2x15	133
		FWLTEI38S-2015	18	222	FWLTEI38D-2015	2x18	111
		FWLTEI38S-2016	24	167	FWLTEI38D-2016	2x24	83
5 VA	115	FWLTEI41S-3001	6	833	FWLTEI41D-3001	2x6	416
		FWLTEI41S-3002	7.2	694	FWLTEI41D-3002	2x7.2	347
		FWLTEI41S-3003	9	555	FWLTEI41D-3003	2x9	277
		FWLTEI41S-3004	10	500	FWLTEI41D-3004	2x10	250
		FWLTEI41S-3005	12	416	FWLTEI41D-3005	2x12	208
		FWLTEI41S-3006	15	333	FWLTEI41D-3006	2x15	166
		FWLTEI41S-3007	18	277	FWLTEI41D-3007	2x18	138
		FWLTEI41S-3008	24	208	FWLTEI41D-3008	2x24	104

Product Series	Primary(V)	Single Secondary			Dual Secondary		
		Part Number	Secondary Rating		Part Number	Secondary Rating	
			(V)	(mA)		(V)	(mA)
8 VA	115	FWLTEI48S-4001	6	1333	FWLTEI48D-4001	2x6	666
		FWLTEI48S-4002	7.2	1111	FWLTEI48D-4002	2x7.2	555
		FWLTEI48S-4003	9	888	FWLTEI48D-4003	2x9	444
		FWLTEI48S-4004	10	800	FWLTEI48D-4004	2x10	400
		FWLTEI48S-4005	12	666	FWLTEI48D-4005	2x12	333
		FWLTEI48S-4006	15	533	FWLTEI48D-4006	2x15	266
		FWLTEI48S-4007	18	444	FWLTEI48D-4007	2x18	222
		FWLTEI48S-4008	24	333	FWLTEI48D-4008	2x24	166
10 VA	115	FWLTEI48S-4009	6	1666	FWLTEI48D-4009	2x6	833
		FWLTEI48S-4010	7.2	1388	FWLTEI48D-4010	2x7.2	694
		FWLTEI48S-4011	9	1111	FWLTEI48D-4011	2x9	555
		FWLTEI48S-4012	10	1000	FWLTEI48D-4012	2x10	500
		FWLTEI48S-4013	12	833	FWLTEI48D-4013	2x12	416
		FWLTEI48S-4014	15	666	FWLTEI48D-4014	2x15	333
		FWLTEI48S-4015	18	555	FWLTEI48D-4015	2x18	277
		FWLTEI48S-4016	24	416	FWLTEI48D-4016	2x24	208